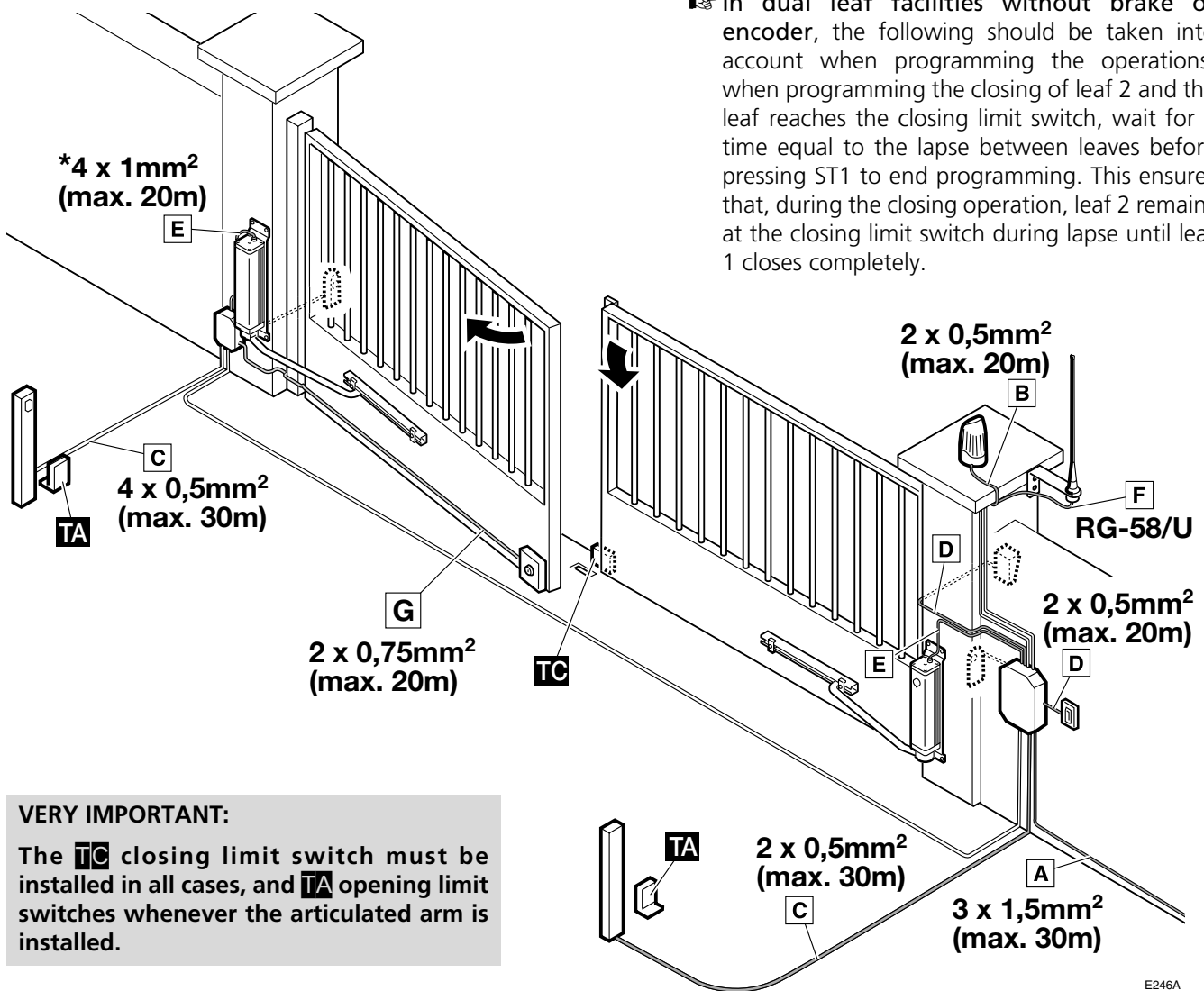


WARNING

This quick guide is a summary of the complete installation manual. The manual contains safety warnings and other explanations which must be taken into account. The installation manual can be downloaded by going to the "Downloads" section of Erreka website:
<http://www.erreka.com/Automatismos/descargaDocumentos.aspx>

Elements of the complete installation



E246A

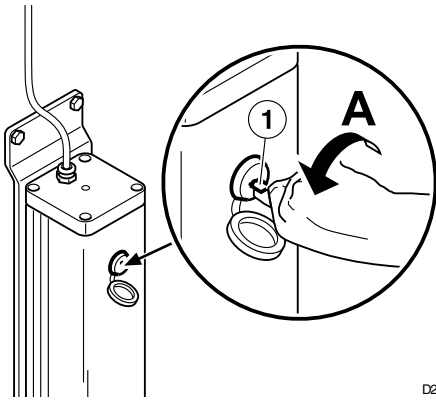
Electrical wiring

- A: Main power supply
- B: LUMI flashing light
- C: Photocells (Rx/Tx)
- D: Pushbutton/key switch
- E: Operator *:
 - motor: 4x1mm²
 - brake: 2x1mm²
 - encoder: shielded cable 2x0.5mm²
- F: LUMI built-in antenna
- G: Electrolock

✎ The electrolock is obligatory for operators without lock (CL210 and CL250). For operators with lock, the electrolock must be used for gate leaf lengths of over 1.8m.

***NOTE:** the electrical installation of the operator can be done correctly and straightforwardly using the cable with AICY8 code, which ERREKA can supply by metre. This cable has the characteristics 4x1mm²+2x1mm²+((2x0.5mm²)) and was developed specifically for this use.

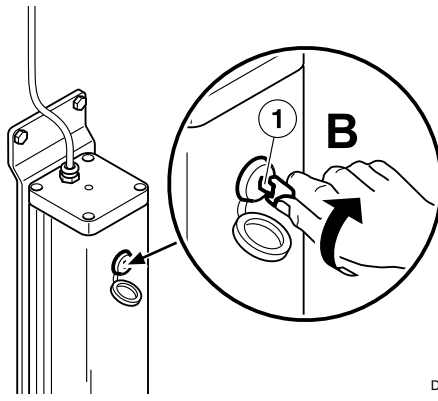
Unlocked (only for models with brake)



D246A

Unlocked for manual operation:

- Remove the cap and insert the key (1).
- Turn the key 90° anti-clockwise (A). The gate is free to move manually.



D246B

Lock for motorised operation:

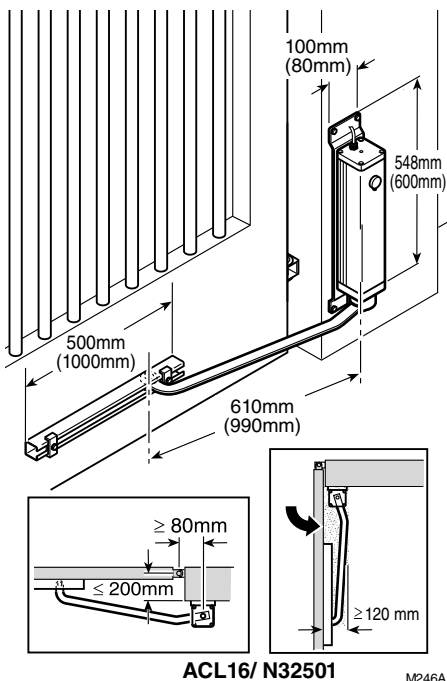
- Turn the key (1) 90° clockwise (B).
- Remove the key and position the cap to stop water from coming in.

Assembly levels

Assembly with sliding arm ACL16/ N32501 (inward opening)

The **TC** closing limit switch must be installed with this type of arm.

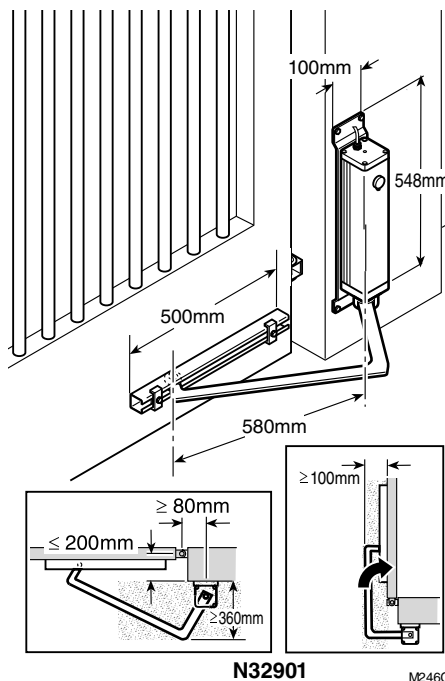
- ✎ The levels with no brackets correspond to models CLS210F/ CL210F (T2000VFI)/ CL210 with arm N32501.
- ✎ The levels between brackets correspond to models CLS250F/ CL250F/ CL250 with arm ACL16.



Assembly with sliding arm N32901 (outward opening)

The **TC** closing limit switch must be installed with this type of arm.

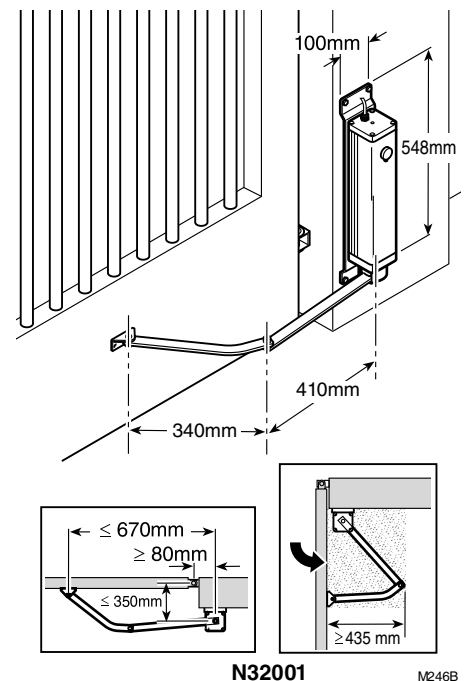
- ✎ The exterior opening arm is only valid for the operators CLS210F/ CL210F (T2000VFI)/ CL210.



Assembly with articulated arm N32001 (inward opening)

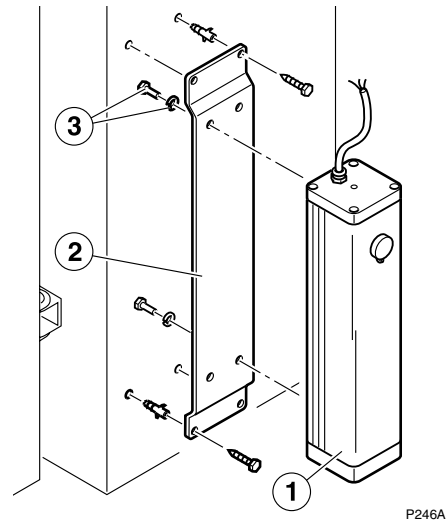
The **TC** closing limit switch and **TA** opening limit switch must be installed with this type of arm.

- ✎ The N32001 articulated arm is only valid for the models CLS210F/ CL210F (T2000VFI)/ CL210.



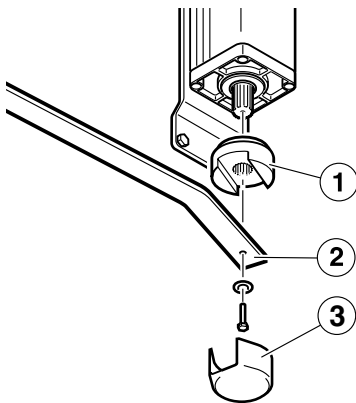
Assembly

- 1** Mount the operator (1) on the bracket (2) using the screws and washers supplied (3). Then mount the unit on the wall.
- Remember that the bracket corresponding to models CLS210F/ CL210F (T2000VFI) / CL210 is shown. The bracket for models CLS250F/ CL250F/ CL250 has some differences, although assembly is carried out in a similar way.

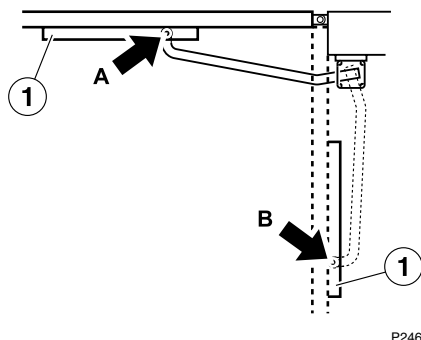


OPTION A: assembly with sliding arm

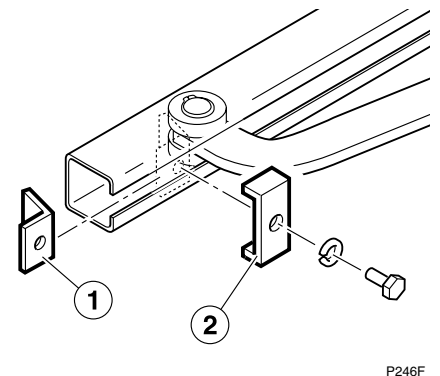
- A1** Mount the drag wheel (1) on the operator shaft.
- A2** Install the arm (2) and the cap (3) on the drag wheel.



- A3** Close the gate and mark position A on it. Open the gate and mark position B on it. Secure the track so points A and B are aligned inside.

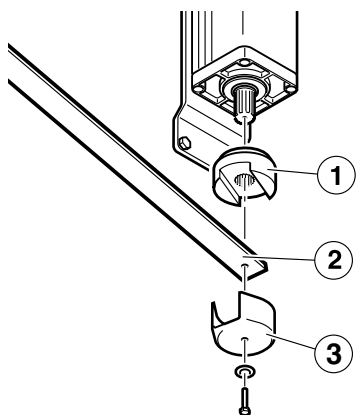


- A4** Position the closing and opening limit switches (1) on the track using the plate (2) (the opening limit switch is shown in the figure).

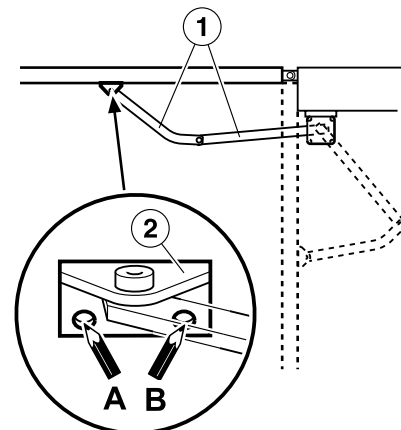


OPTION B: assembly with articulated arm

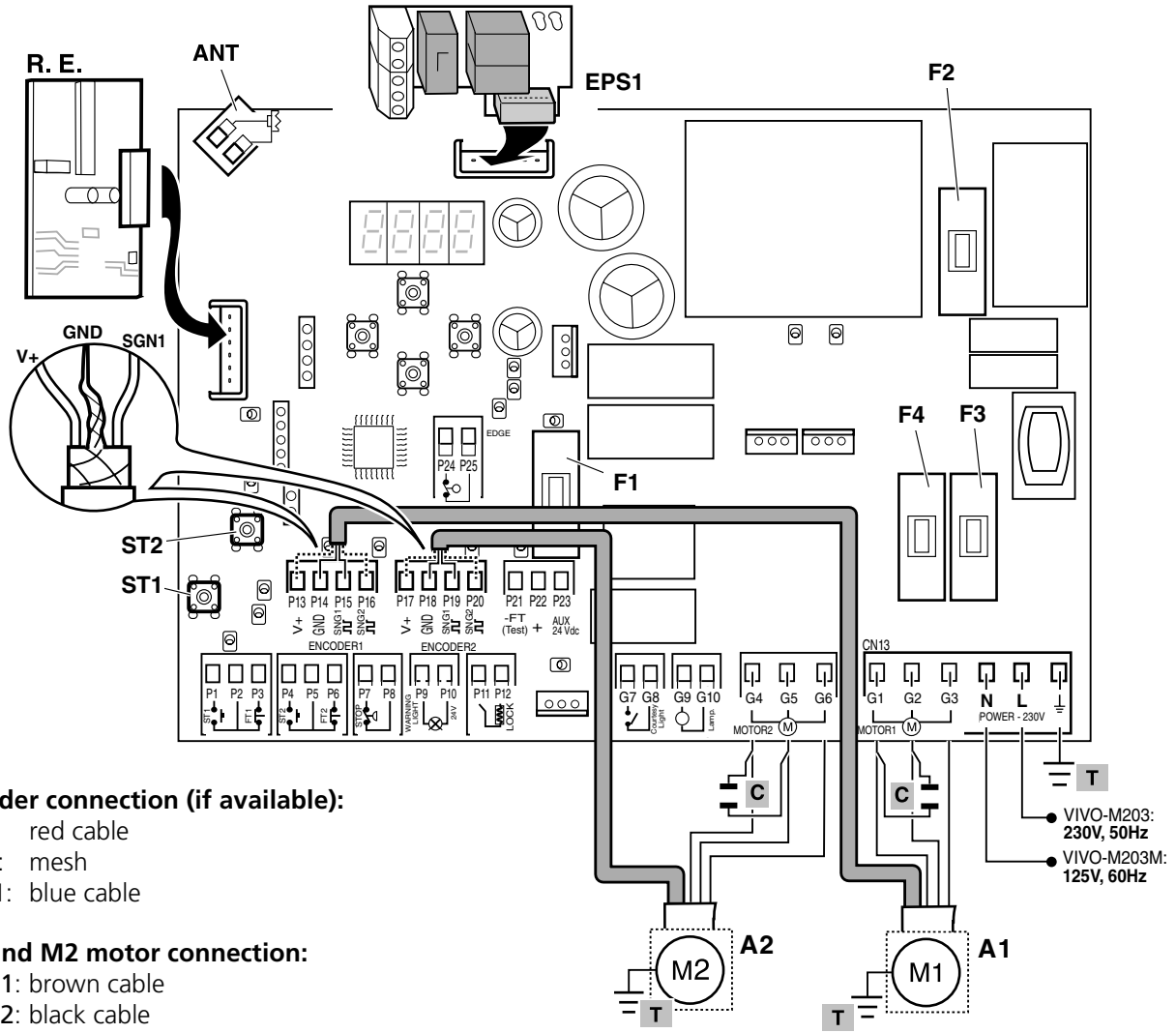
- B1** Mount the drag wheel (1) on the operator shaft.
- B2** Install the arm (2) and the cap (3) on the drag wheel.



- B3** Close the gate, pull the arm (1) a maximum of 670 mm and mark the positions A and B. Secure the bracket (2) in this position.



Electrical connections, control board VIVO-M203



Encoder connection (if available):

- V+: red cable
- GND: mesh
- SGN1: blue cable

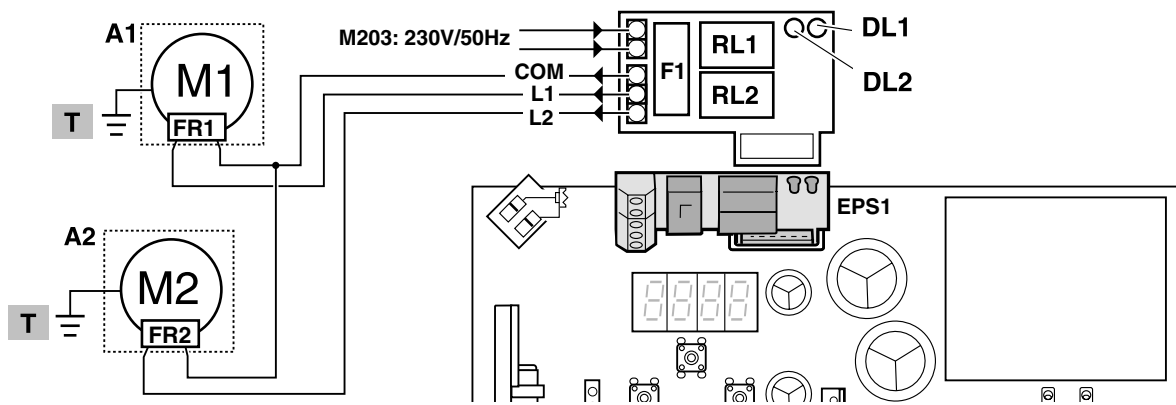
M1 and M2 motor connection:

- G4/G1: brown cable
- G5/G2: black cable
- G6/G3: grey cable
- C: capacitor; CL210 / CL210F (T2000VF) / CLS210F: 5µF; CL250/ CL250F/ CLS250F: 8µF

▲ Check the control board instructions to connect the other components and carry out programming.

P246Z

Brake cabling by way of EPS1 (VIVO-M203, parameter Rb0 I)



- COM: orange cable (models with encoder)
white cable (models without encoder)
- L1, L2: purple cable (models with encoder)
red cable (models without encoder)

- DL1: Red LED, FR1 activation
- DL2: Green LED, FR2 activation

P246Y